

**ZYS**

*Machine Tool*

**Super precision angular contact ball bearings**

---



***ZYS, SINCE 1958-***

*Super Precision Bearing Manufacturer*

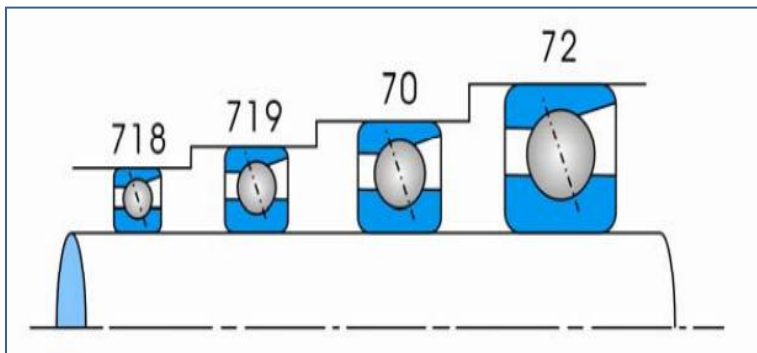
**LUOYANG BEARING RESEARCH INSTITUTE CO./ LTD.**

Website: [www.zysbearing.com](http://www.zysbearing.com)

Email: [zysdong@gmail.com](mailto:zysdong@gmail.com)

# ZYS new-generation P4A accuracy bearings enhanced machine tool performance

A new generation of super precision angular contact ball bearings have been developed by ZYS for the machine tools. Comparing with general P4 precision bearings, ZYS bearings totally reach and above P4A accuracy, they are greatly improved in terms of rotation accuracy, limit speed, carrying capacity and reliability; and the size range is also wider. ZYS is able to produce 718 series, 719 series, 70 series, 72 series, 73 series and 760/BS series precision angular contact ball bearings and can also develop new products for special application conditions according to customers' needs and provide services for



*Series of precision angular contact ball bearings*



*Hybrid ceramic ball precision angular contact bearing*

## **Technical features:**

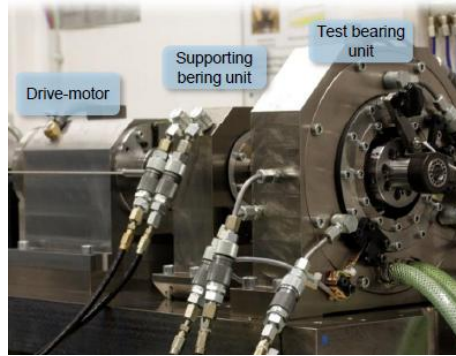
- Optimize the raceway curvature radius of the ring for easy installation and improvement of mounting accuracy.
- Speed performance increased by 30%.
- Product size specifications increase.
- Advanced heat treatment processes maximize the dimensional stability and hardness of bearing part and then reduce wear.
- Designed with multiple preload levels to meet speed and rigidity requirements for a variety of applications.

## **Unique preload option:**

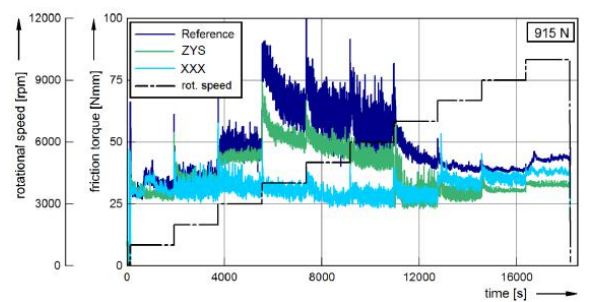
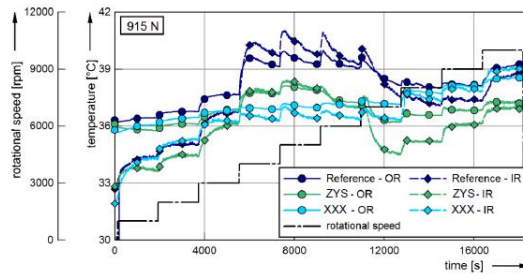
- Level A, light preload.
- Level B, medium preload.
- Level C, heavy preload.

# ZYS brand VS ××× brand

The comparative test results from RWTH Aachen University



- Bearing size:
  - Inner diam.: 70 mm
  - Outer diam.: 110 mm
  - Width: 20 mm
- Max. rot. speed: 35,000 rpm
- Max. power: 15.6 kW
- Axial preload: 350 – 2,750 N



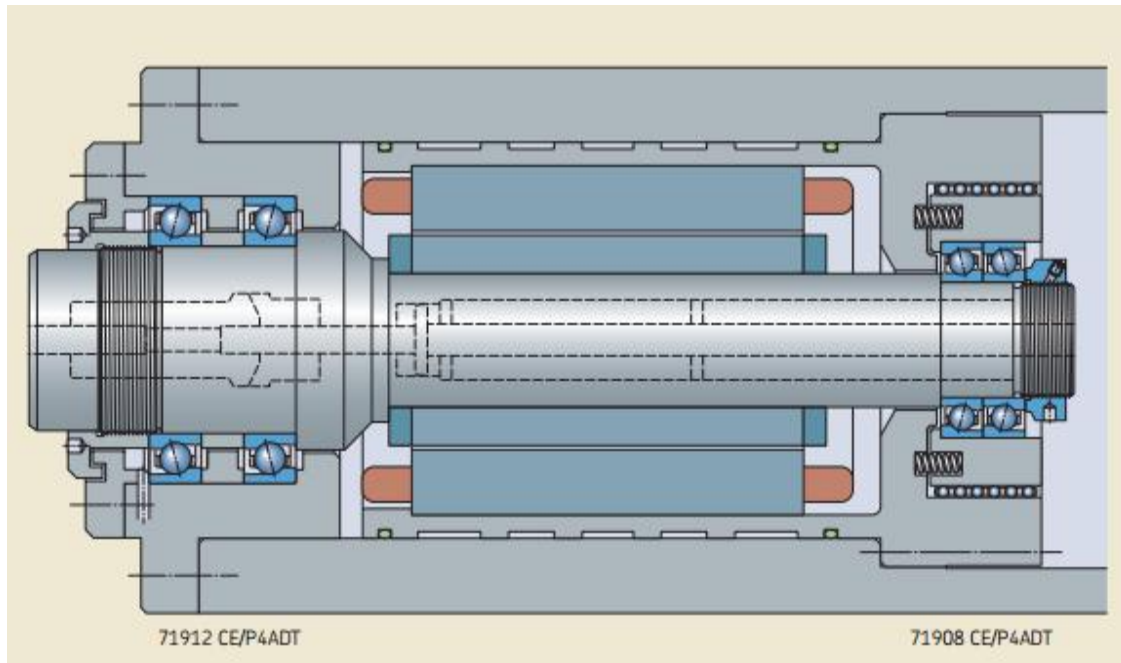
The result shows:  
**ZYS Bearings have excellent speed performance.**

## ZYS MANUFACTURING CAPACITY



## APPLICATION CASE I

### Electric spindle for internal grinding machine



## APPLICATION CASE II

### Horizontal machining center spindle

